



**IMPORTANT, KEEP FOR FUTURE
REFERENCE: READ CAREFULLY**

Use instructions for furniture:

- **XTREME® Divine Lounge**
- **XTREME® Casino Royale**

Dear Customer,

Thank you very much for purchasing one or several products from the XTREME® Collections „Divine Lounge“ or „Casino Royale“.

We really hope you will enjoy your purchase!

The use instructions can also be downloaded as a PDF file from our website at **www.xtreme-collection.com**.

Date of issue: January 2022

Content

Important information about this manual and the manufacturer	4
Layout features in the text.....	4
Manufacturer's address.....	4
Understanding the intended and safe use	5
Intended use.....	5
Signal words, definitions, safety messages and other important information	6
Basic safety information	7
Avoid suffocation and injury hazards.....	7
Avoid damage to the furniture	8
Description of the furniture	9
Divine Lounge Collection.....	9
Sofa.....	10
Ottoman.....	10
Armchair.....	10
Tables.....	10
Side table	10
Casino Royale Collection	11
Bar stool	11
Bar table.....	11
Material characteristics.....	12
Aluminum	12
Leather of the XTREME® Collection.....	12
Glass.....	12
Usage of the furniture	13
Unpacking the furniture	13
Tables and bar table	14
Cleaning and care	16
Aluminum	16
Leather of the XTREME® Collection.....	16
Glass	16
Dimensions and weights	17
Divine Lounge Collection.....	17
Casino Royale Collection	18
Disposal	19

Important information about this manual and the manufacturer

These use instructions are provided to help you to ensure the safe, beneficial and long-term use of your XTREME[®] furniture.

Please read this manual carefully before using your XTREME[®] furniture. Following the use and care instructions in this manual will help to avoid injury hazards and damage to the furniture and will increase the reliability and service life of the furniture.

Keep these use instructions for future reference. It is very important that you provide these use instructions when you are selling the furniture in the future or are giving it away to a third party.

Layout features in the text

Various elements of the manual are provided with set layout features. This allows you to easily distinguish the following elements:

normal text

- itemization
- ▶ action steps

Manufacturer's address

BOXMARK Leather d.o.o
Industrijsko naselje 10
2325 Kidricevo
Slovenia
Phone No.: +386 2 7991 600
Fax No.: +386 2 7991 641
si.office@boxmark.com
www.xtreme-collection.com

Understanding the intended and safe use

Intended use

The sofa is used for sitting or lying down. It has a maximum load capacity of 200 kg.

The ottoman is used for sitting. It has a maximum load capacity of 200 kg.

The armchair is used for sitting. It has a maximum load capacity of 180 kg.

The tables are used for placing and depositing objects. They can be loaded up to a maximum of 80 kg.

The side table is used for storing objects. It can be loaded up to a maximum of 10 kg.

The bar stool is used for sitting. It has a maximum load capacity of 200 kg.

The bar table is used for placing and depositing objects. It has a maximum load capacity of 80 kg.

The furniture may be used in private and commercial areas.

Any other use or use beyond this is considered improper and may result in damage to property or personal injury.

In particular, the use of the furniture as a climbing aid is considered as improper. The furniture could tip over, which can lead to serious injury or damage.

Signal words, definitions, safety messages and other important information

All safety messages in this manual are marked with the signal word panels WARNING or CAUTION according to ANZI Z535.6. The signal word panels identify the severity of the hazard, steps how to avoid the hazard and likely consequences of not avoiding the hazard. In an analogous fashion possible property damage is marked by the signal word panel NOTICE. Following is information about the type and source of what can cause the property damage, steps how to avoid the possible damage and the likely consequences if these steps are not taken.

WARNING

WARNING indicates a hazardous situation that, if not avoided, could result in death or serious injury.

CAUTION

CAUTION indicates a hazardous situation that, if not avoided, could result in minor or moderate injury.

Please pay attention to the safety labels on the products!

NOTICE

NOTICE indicates information considered important, but not hazard-related (e.g. messages related to property damage).



Sections marked with this symbol contain tips and additional information, such as special information regarding the most effective use of the furniture.

Basic safety information

Avoid suffocation and injury hazards

⚠ WARNING

- Never let children play with the plastic film used for packaging. A child may pull the plastic film over the head and suffocate. Keep all packaging materials away from children.
- Observe and never exceed the maximum weight limitations. Don't put more weight on the furniture than the maximum specified weight. If overloaded, the furniture may break and cause serious injury.
- Never stand on the furniture. Do not use the furniture as a climbing aid. You may fall and seriously injure yourself.
- Be careful when you unfold, adjust or fold the furniture so that you don't crush or pinch fingers or other body parts.
- Put a towel or other covering on the furniture to avoid burns. In direct sunlight the surface of the XTREME[®] leather, the aluminum parts and the glass top can get very hot and cause burns to unprotected body parts.
- Never let children use the furniture unless they are supervised by a responsible adult at all times.
- Never let persons with mental or physical limitations use the furniture unless they are supervised by a responsible adult at all times.
- Always place the furniture on a flat surface so it cannot tip, cause injury or get damaged.
- Never hit the glass top with hard objects. The glass can break and cause serious injuries.

Avoid damage to the furniture

NOTICE

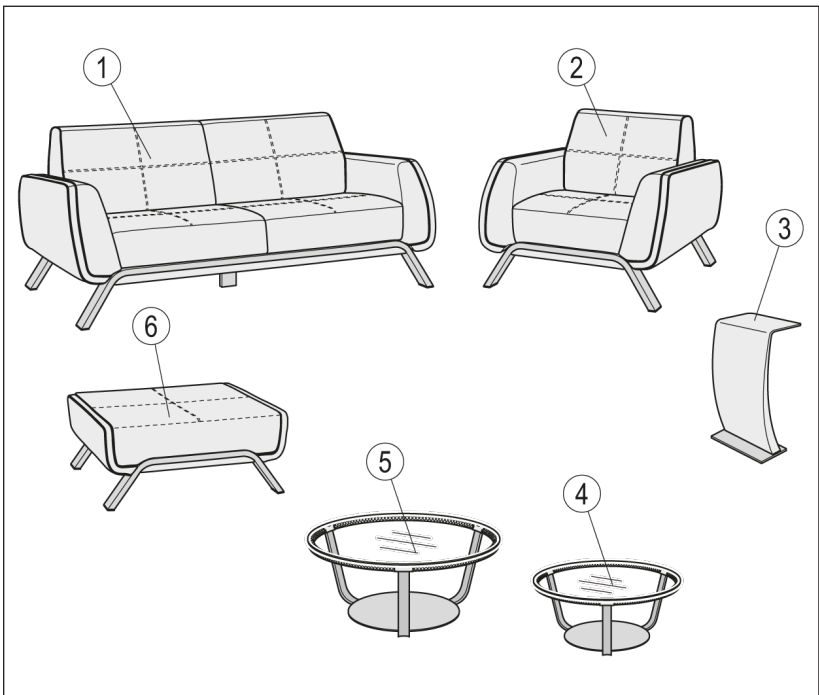
- Only use detergents that are recommended by the manufacturer. Any other detergents or cleaning agents can cause damage to the furniture.
- For detailed information concerning cleaning and care, please see the „Cleaning & Care Instructions“ which you received when purchased that product (can also be downloaded from our website www.xtreme-collection.com).
- We recommend to store the furniture at standard atmosphere (temperature 20 °C, relative humidity 65 %) in a dry and well ventilated room.
- Make sure the furniture is fully dry before storing. Never store the furniture when it is not dry because of possible mold.

Description of the furniture

Divine Lounge Collection

The Divine Lounge Collection consists of the following furniture:

- Sofa (1)
- Armchair (2)
- Sidetable (3)
- Table - small (4)
- Table - large (5)
- Ottoman (6)



Sofa

The sofa consists of a frame and a padded support. The padded support can be easily removed from the frame. The frame is made of aluminum. The upper material of the pad is leather from the XTREME[®] Collection.

Ottoman

The Ottoman consists of a frame and a padded support. The padded support can be easily removed from the frame. The frame is made of aluminum. The upper material of the pad is leather from the XTREME[®] Collection.

Armchair

The armchair consists of a frame and a padded support. The padded support can be easily removed from the frame. The frame is made of aluminum. The upper material of the pad is leather from the XTREME[®] Collection.

Table

The table consists of a frame on which a glass top is placed. The frame is made of aluminum. The upper edge of the table is wrapped in braided leather from the XTREME[®] Collection. The plate below the glass plate is covered with leather from the XTREME[®] Collection. The table is available in two different diameters (910 mm and 650 mm).

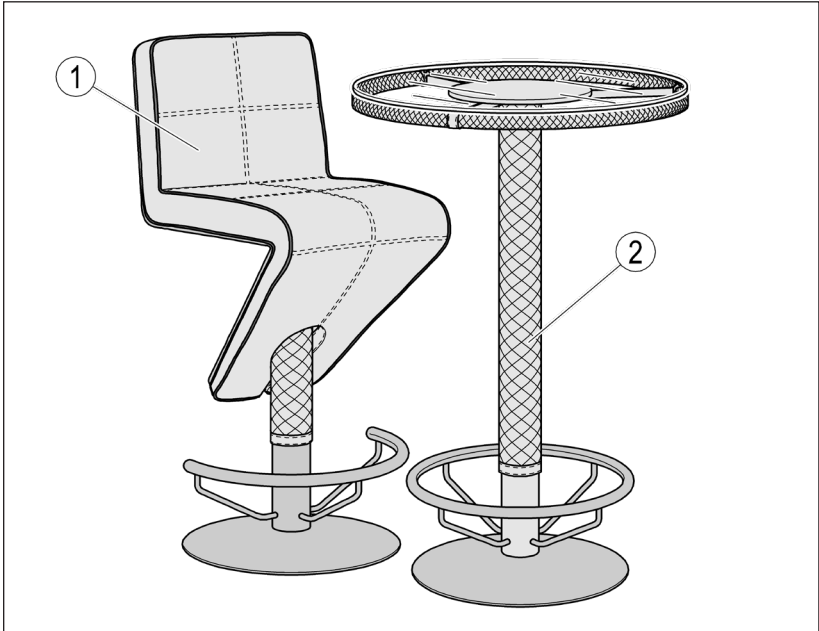
Side table

The side table consists of a base plate and a curved shelf, which is screwed to the base plate. Both parts are made of aluminum and powder coated. The curved shelf is covered on the front with leather from the XTREME[®] Collection.

Casino Royale Collection

The Casino Royale Collection includes the following furniture:

- Bar stool (1)
- Bar table (2)



Bar stool

The bar stool consists of a frame and a padded support. The frame is made of aluminum. The upper material of the pad is leather from the XTREME[®] Collection.

Bar table

The bar table consists of a frame on which a glass plate is placed. The frame is made of aluminum. The upper edge and the column of the table are wrapped in braided leather from the XTREME[®] Collection.

Material characteristics

The main components of the furniture are made of aluminum and the leather of the XTREME[®] collection.

Aluminum

Aluminum is lightweight, non-toxic and has good corrosion resistance.

Leather of the XTREME[®] collection

The leather features itself through a higher resistance against soil, water and insolation.

Glass

The optional glass top is made of single pane safety glass. This single pane safety glass has high resistance to hits and to objects that are dropped on it by accident. Nevertheless, if the glass breaks it will shatter into small pieces. This reduces the potential injury hazards.

Usage of the furniture

Unpacking the furniture

⚠ WARNING

Avoid suffocation hazards!

Never let children play with the plastic film used for packaging. A child may pull the plastic film over the head and suffocate. Keep all packaging materials away from children.

- ▶ Remove the plastic film from the packaging.
- ▶ Remove the furniture item from the packaging.
- ▶ Remove the bubble wrap from the furniture.
- ▶ Dispose of the packaging materials in accordance with all applicable federal, state and local laws, regulations and guidelines.

Tables and bar table

At the table or bar table with the corresponding glass top, you can place the glass top on the table.

VORSICHT



There is the risk of body parts being pinched when the glass plate is placed on the table.

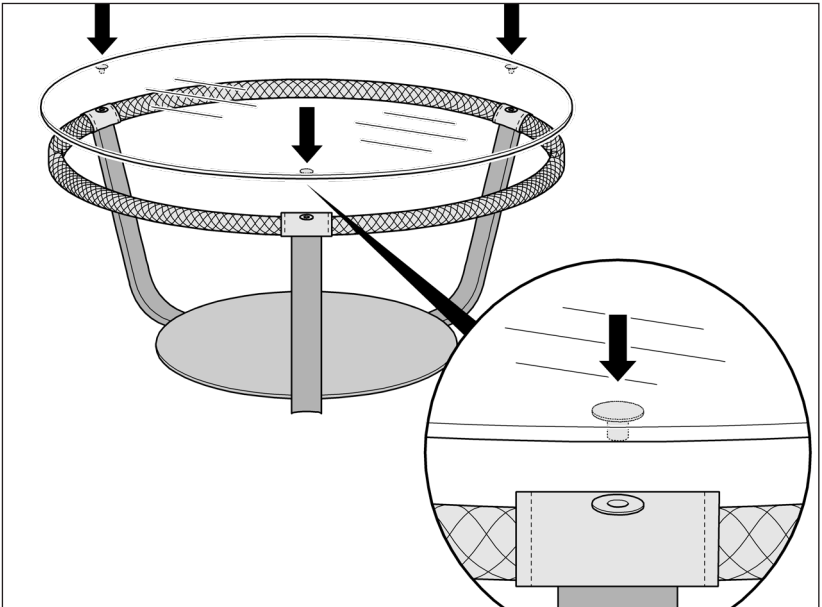
- ▶ Make sure that no body parts get between the glass plate and the table surface.
- ▶ Hold the glass plate only at the edges.
- ▶ If necessary, place the glass plate on the table top with the help of a second person.



The glass top is placed identically for the tables from the Divine Lounge Collection and the bar table from the Casino Royale Collection.

The placement of the glass top is exemplified with a table from the Divine Lounge Collection.

- ▶ Make sure that there are no foreign objects between the glass plate and the edging.
- ▶ Take the glass plate at its edges.
- ▶ Position the glass plate over the edging of the table so that the three bolts of the glass plate fit into the holes provided in the upper edging.



- ▶ Slowly lower the glass plate until it rests on the edging and the bolts are in the holes.

If you want to remove the glass top from the table, proceed as follows:

- ▶ Take the glass plate at its edges.
- ▶ Lift the glass plate upwards out of the holes in the upper edging.
- ▶ Place the glass plate securely in a designated place.

Cleaning and care

Below you can find a brief overview of cleaning and care directions. For detailed information please see the „**Cleaning & Care Instructions**“ which you received when purchased that product (can also be downloaded from our website **www.xtreme-collection.com**).

Aluminum

- ▶ Clean the aluminum parts with lukewarm water and a microfiber cloth.
- ▶ For heavy soiling, we recommend cleaning with the detergent Super 10 GNLD. This product is available worldwide exclusively from GNLD distributors (<https://us.gnld.com/en-us/product/HomeCare/Products/Super10>).
- ▶ Care for your aluminum parts every three months by using a commercial aluminum cleaner.

Leather of the XTREME[®] collection

NOTICE

Avoid damage caused by unsuitable cleaning agents.

Do not use solvents, bleaches, abrasive substances, chemical cleaning agents or wax polishes.

- ▶ Clean the leather only with lukewarm water and a clean and soft cotton cloth.
- ▶ In case of heavy soiling please ask specialist retailers.

Glass

- ▶ Clean the glass top with household glass cleaner and a soft lint free cloth.

Dimensions and weights

Divine Lounge Collection

	Sofa	Armchair	Ottoman	Side table
Width:	ca. 1.870 mm (6'1 $\frac{2}{3}$ ")	ca. 970 mm (38 $\frac{1}{4}$ ")	ca. 990 mm (39")	ca. 270 mm (10 $\frac{2}{3}$ ")
Height:	ca. 810 mm (31 $\frac{3}{4}$ ")	ca. 810 mm (31 $\frac{3}{4}$ ")	ca. 440 mm (17 $\frac{1}{3}$ ")	ca. 630 mm (24 $\frac{3}{4}$ ")
Depth:	ca. 940 mm (37")	ca. 940 mm (37")	ca. 830 mm (32 $\frac{2}{3}$ ")	ca. 230 mm (9")
Weight:	ca. 47 kg (104 lbs.)	ca. 27 kg (60 lbs.)	ca. 23 kg (51 lbs.)	ca. 12 kg (26 lbs.)

	Table - large	Table - small
Diameter:	ca. 910 mm (35 $\frac{3}{4}$ ")	ca. 650 mm (25 $\frac{2}{3}$ ")
Height:	ca. 400 mm (15 $\frac{3}{4}$ ")	ca. 300 mm (11 $\frac{3}{4}$ ")
Glasstop:	ca. Ø 910 mm x 6 mm (35 $\frac{3}{4}$ " x $\frac{1}{4}$ ")	ca. Ø 650 mm x 6 mm (25 $\frac{2}{3}$ " x $\frac{1}{4}$ ")
Weight incl. Glasstop:	ca. 15 kg (33 lbs.)	ca. 8 kg (18 lbs.)
Weight - Glasstop:	ca. 8 kg (18 lbs.)	ca. 4,8 kg (11 lbs.)

Casino Royale Collection

	Bar Stool	Bar Table
Width:	ca. 510 mm (20")	-
Height:	ca. 1.100 mm (43 $\frac{1}{3}$ ")	ca. 1.070 mm (42 $\frac{1}{4}$ ")
Depth:	ca. 570 mm (22 $\frac{1}{2}$ ")	-
Diameter:	-	ca. 710 mm (28")
Glasstop:	-	ca. Ø 710 mm x 6 mm (28" x $\frac{1}{4}$ ")
Weight:	ca. 19 kg (42 lbs.)	ca. 17 kg (37 lbs.) incl. Glasstop
Weight - Glasstop:	-	ca. 5,7 kg (13 lbs.)

Disposal

Aluminum is a recyclable material. Discard the furniture after its end of life in compliance with all national, state and local laws, regulations and guidelines. If in doubt, please consult your state, municipal or local authority.



Xtreme[®]
COLLECTION

BOXMARK Leather d.o.o

Industrijsko naselje 10, SI-2325 Kidricevo

Phone No.: +386 2 7991 600, Fax No.: +386 2 7991 641

si.office@boxmark.com

www.xtreme-collection.com