



**IMPORTANT, KEEP FOR FUTURE  
REFERENCE: READ CAREFULLY**

**Use instructions for**

- **XTREME® Ocean Breeze Table**
- **XTREME® Ocean Breeze Chair**
- **XTREME® Ocean Breeze Sunlounger**

**Dear Customer,**

**Thank you very much for purchasing one or several products from the XTREME® Collection „Ocean Breeze“.**

**We really hope you will enjoy your purchase!**

The use instructions can also be downloaded as a PDF file from our website at **[www.xtreme-collection.com](http://www.xtreme-collection.com)**.

Date of issue: January 2022

# Content

<b>Important information about this manual and the manufacturer.....</b>	<b>4</b>
Layout features in the text.....	4
Manufacturer's address.....	4
<b>Understanding the intended and safe use.....</b>	<b>5</b>
Intended use.....	5
Signal words, definitions, safety messages and other important information .....	6
Basic safety information .....	7
Avoid suffocation and injury hazards.....	7
Avoid damage to the furniture .....	8
<b>Description of the furniture .....</b>	<b>9</b>
XTREME® Ocean Breeze Table .....	9
XTREME® Ocean Breeze Chair .....	10
XTREME® Ocean Breeze Sunlounger .....	11
Material characteristics.....	12
Aluminum .....	12
XTREME® leather.....	12
Glass .....	12
<b>Usage of the furniture .....</b>	<b>13</b>
Unpacking the furniture .....	13
XTREME® Ocean Breeze Table .....	14
XTREME® Ocean Breeze Chair .....	20
XTREME® Ocean Breeze Sunlounger .....	22
<b>Cleaning and care.....</b>	<b>24</b>
Aluminum .....	24
XTREME® leather.....	24
Glass .....	24
<b>Dimensions and weights .....</b>	<b>25</b>
XTREME® Ocean Breeze Table .....	25
XTREME® Ocean Breeze Table with glass top.....	25
XTREME® Ocean Breeze Chair .....	26
XTREME® Ocean Breeze Sunlounger .....	26
<b>Disposal.....</b>	<b>27</b>

## **Important information about this manual and the manufacturer**

These use instructions are provided to help you to ensure the safe, beneficial and long-term use of your XTREME<sup>®</sup> furniture.

Please read this manual carefully before using your XTREME<sup>®</sup> furniture. Following the use and care instructions in this manual will help to avoid injury hazards and damage to the furniture and will increase the reliability and service life of the furniture.

Keep these use instructions for future reference. It is very important that you provide these use instructions when you are selling the furniture in the future or are giving it away to a third party.

### **Layout features in the text**

Various elements of the manual are provided with set layout features. This allows you to easily distinguish the following elements:

normal text

- itemization
- ▶ action steps

### **Manufacturer's address**

BOXMARK Leather d.o.o  
Industrijsko naselje 10  
2325 Kidricevo  
Slovenia  
Phone No.: +386 2 7991 600  
Fax No.: +386 2 7991 641  
si.office@boxmark.com  
www.xtreme-collection.com

## Understanding the intended and safe use

### Intended use

The XTREME® Ocean Breeze Table is used as a table to hold objects with a total weight of no more than 50 kg or 110 lbs.

The XTREME® Ocean Breeze Chair is used for seating of a single person with a weight not to exceed 200 kg or 440 lbs.

The XTREME® Ocean Breeze Sunlounger is used for seating of or lounging by a single person with a weight not to exceed 200 kg or 440 lbs. The furniture can be used in private and commercial environments.

**Any other use is considered to be improper, hereby expressly prohibited and may lead to personal injury and/or damage to the furniture.**

**In particular, never use the furniture to stand on and climb. The chair or the sunlounger may tip over and the table cannot hold the weight of a normal adult. There is a high risk of serious injury if the furniture is used as climbing aid.**

## Signal words, definitions, safety messages and other important information

All safety messages in this manual are marked with the signal word panels WARNING or CAUTION according to ANZI Z535.6. The signal word panels identify the severity of the hazard. Following is information about the type and source of the hazard, steps how to avoid the hazard and likely consequences of not avoiding the hazard. In an analogous fashion possible property damage is marked by the signal word panel NOTICE. Following is information about the type and source of what can cause the property damage, steps how to avoid the possible damage and the likely consequences if these steps are not taken.

### **WARNING**

WARNING indicates a hazardous situation that, if not avoided, could result in death or serious injury.

### **CAUTION**

CAUTION indicates a hazardous situation that, if not avoided, could result in minor or moderate injury.

**Please pay attention to the safety labels on the products!**

### **NOTICE**

NOTICE indicates information considered important, but not hazard-related (e.g. messages related to property damage).



Sections marked with this symbol contain tips and additional information, such as special information regarding the most effective use of the furniture.

## Basic safety information

### Avoid suffocation and injury hazards

#### **⚠ WARNING**

- Never let children play with the plastic film used for packaging. A child may pull the plastic film over the head and suffocate. Keep all packaging materials away from children.
- Observe and never exceed the maximum weight limitations. Don't put more weight on the furniture than the maximum specified weight. If overloaded, the furniture may break and cause serious injury.
- Never stand on the furniture. Do not use the furniture as a climbing aid. You may fall and seriously injure yourself.
- Be careful when you unfold, adjust or fold the furniture so that you don't crush or pinch fingers or other body parts.
- Put a towel or other covering on the furniture to avoid burns. In direct sunlight the surface of the XTREME<sup>®</sup> leather, the aluminum parts and the glass top can get very hot and cause burns to unprotected body parts.
- Never let children use the furniture unless they are supervised by a responsible adult at all times.
- Never let persons with mental or physical limitations use the furniture unless they are supervised by a responsible adult at all times.
- Always place the furniture on a flat surface so it cannot tip, cause injury or get damaged.
- Never hit the glass top with hard objects. The glass can break and cause serious injuries.

## Avoid damage to the furniture

### NOTICE

- Only use detergents that are recommended by the manufacturer. Any other detergents or cleaning agents can cause damage to the furniture.
- For detailed information concerning cleaning and care, please see the „Cleaning & Care Instructions“ which you received when purchased that product (can also be downloaded from our website [www.xtreme-collection.com](http://www.xtreme-collection.com)).
- We recommend to store the furniture at standard atmosphere (temperature 20 °C, relative humidity 65 %) in a dry and well ventilated room.
- Make sure the furniture is fully dry before storing. Never store the furniture when it is not dry because of possible mold.

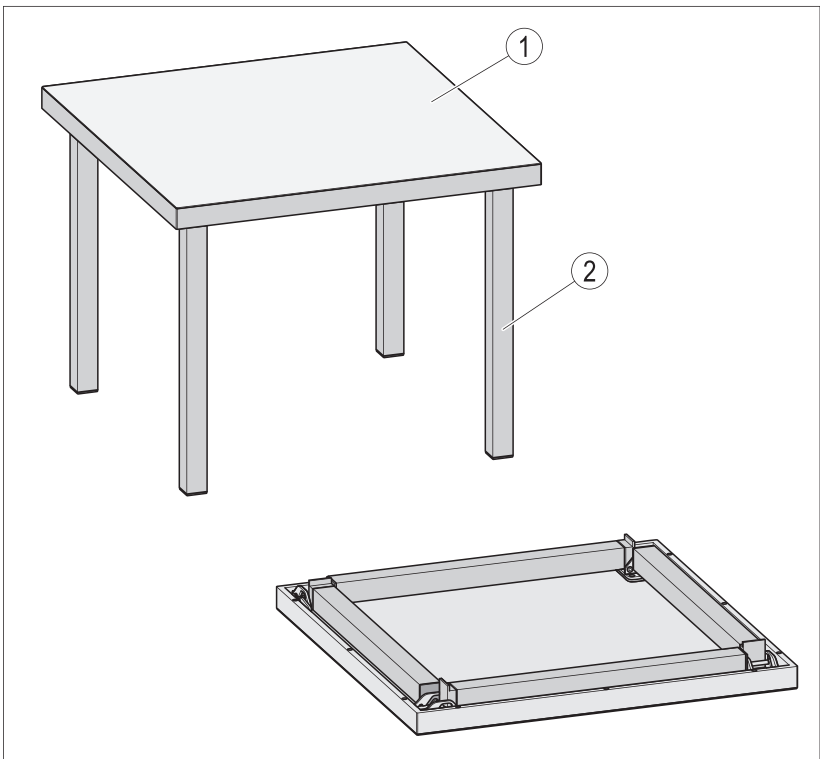


## Description of the furniture

### XTREME<sup>®</sup> Ocean Breeze Table

The table consists of the table top (1) and four folding table legs (2). When the table is not in use, the table legs can be folded for space saving storage of the table.

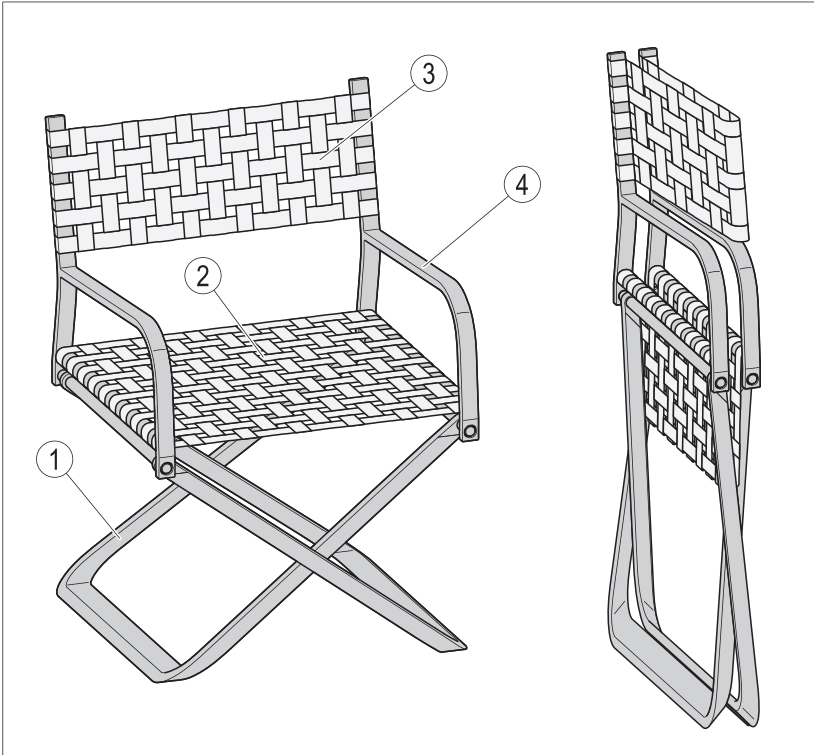
The table top and legs are made of aluminum. The table top is covered with the leather of the XTREME<sup>®</sup> Collection.



**Option:** The table can be ordered with an optional glass top that can be put on top of the table surface.

## **XTREME<sup>®</sup> Ocean Breeze Chair**

The chair consists of a folding aluminum frame (1), a seat (2) and a backrest (3). The seat (2) and backrest (3) are made of the leather of the XTREME<sup>®</sup> collection. The armrests (4) are also covered with that leather. When not used, the chair can be folded for space saving storage.

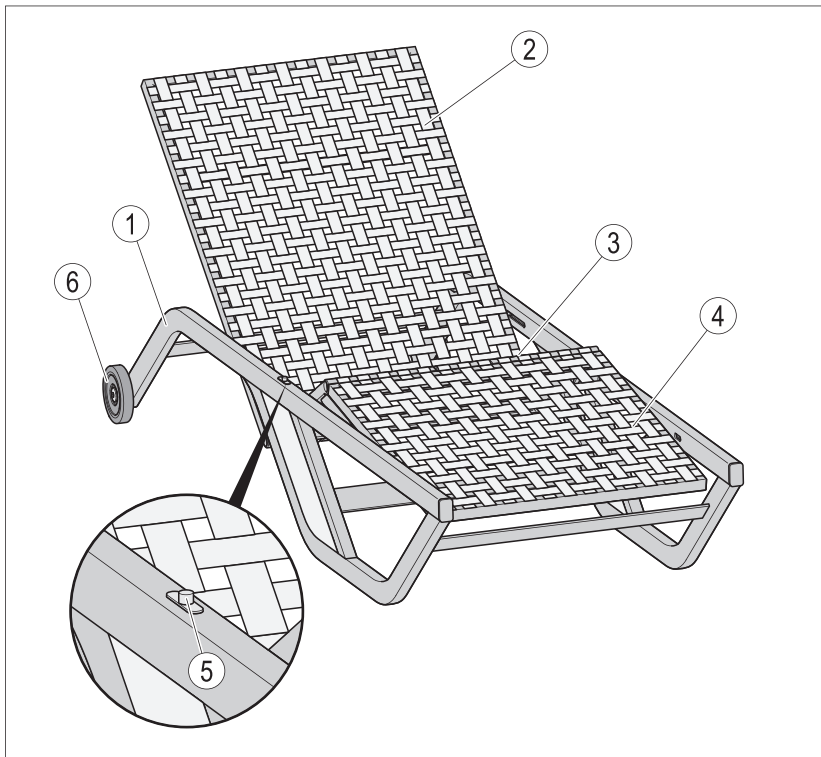


## **XTREME<sup>®</sup> Ocean Breeze Sunlounger**

The sunlounger is made of a sturdy aluminum frame (1) with an integrated lounging surface. The lounging surface consists of three parts, the back rest (2), the center area (3) and the foot rest (4). The lounging surface is continuously adjustable with the adjustment knob (5) which is integrated in the aluminum frame (1). With this adjustment knob (5) the lounging surface can also be brought to an upright sitting position.

The back rest (2), the center area (3) and the foot rest (4) each consist of an aluminum frame covered with the leather of the XTREME<sup>®</sup> collection. Two wheels (6) located below the back rest are provided so that the sunlounger can be moved around easily.

An optional seat pad and neck roll made of the leather of the XTREME<sup>®</sup> collection are available as accessories



## **Material characteristics**

The main components of the furniture are made of aluminum and the leather of the XTREME® collection.

### **Aluminum**

Aluminum is lightweight, non-toxic and has good corrosion resistance.

### **Leather of the XTREME® collection**

The leather features itself through a higher resistance against soil, water and insolation.

### **Glass**

The optional glass top is made of single pane safety glass. This single pane safety glass has high resistance to hits and to objects that are dropped on it by accident. Nevertheless, if the glass breaks it will shatter into small pieces. This reduces the potential injury hazards.

## Usage of the furniture

### Unpacking the furniture

#### **⚠ WARNING**

##### **Avoid suffocation hazards!**

Never let children play with the plastic film used for packaging. A child may pull the plastic film over the head and suffocate. Keep all packaging materials away from children.

- ▶ Remove the plastic film from the packaging.
- ▶ Remove the furniture item from the packaging.
- ▶ Remove the bubble wrap from the furniture.
- ▶ Dispose of the packaging materials in accordance with all applicable federal, state and local laws, regulations and guidelines.

## XTREME<sup>®</sup> Ocean Breeze Table

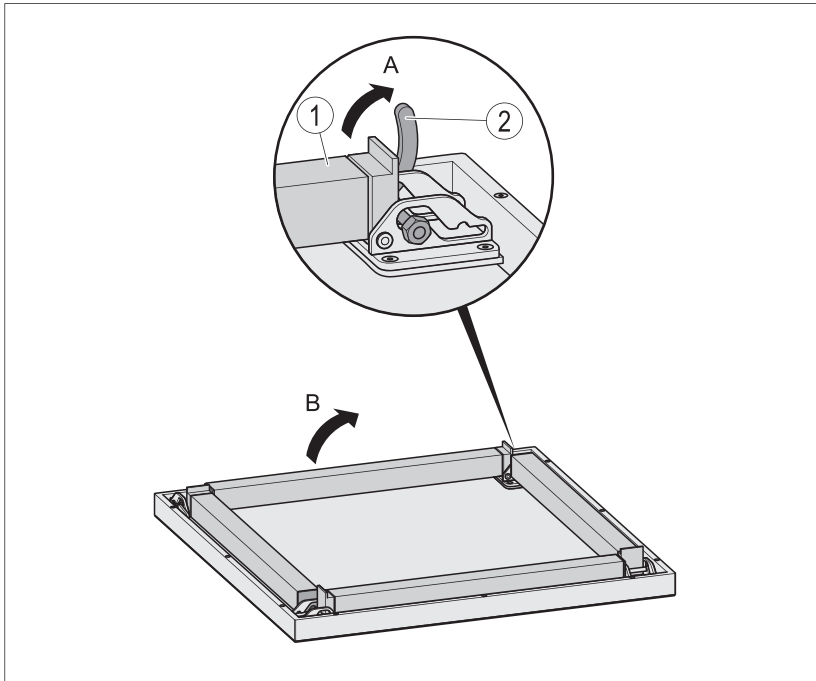
### **CAUTION**

**Avoid pinch hazards when folding and unfolding the table legs.**

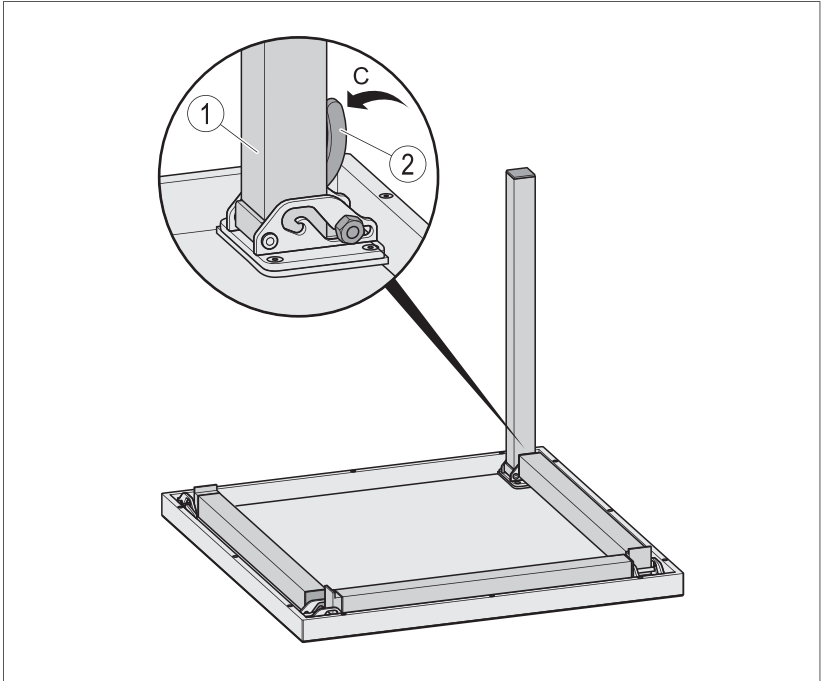
Make sure that no body parts are between the moving and stationary parts of the table.

**To unfold the legs, proceed as follows:**

- ▶ Place the table on a soft, clean surface with the table top down.
- ▶ Pull the locking lever (2) on a table leg in direction A.
- ▶ Fold the corresponding table leg (1) upward in direction B to the stop.



- ▶ Push the lever (2) in direction C all the way to the stop.



The table leg (1) is now locked in place.

- ▶ Repeat these steps for each of the other three legs.
- ▶ Make sure that all four legs are folded out and locked securely.
- ▶ Tilt the table over one edge of the table top to the side.
- ▶ Place the table on a level surface.

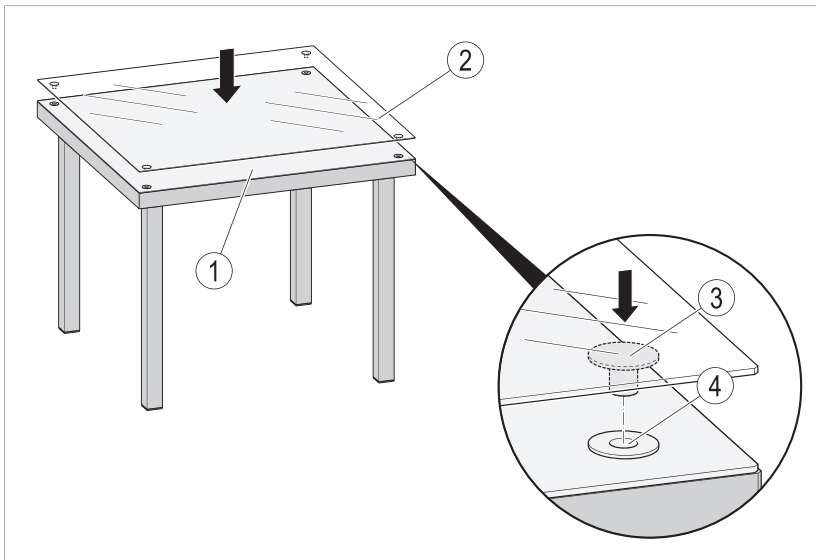
If you have a table with the optional glass top, you are now ready to put the glass top on the table. Putting the glass top on or off is easier with help from a second adult.

**⚠ CAUTION**

**Avoid pinch hazards when putting the glass top on.**

Make sure that no body parts are between the glass top and the table top. Only grab the glass top by its edges and gently put it down.

- ▶ Make sure that the table top (1) is clean and free of any dirt or foreign objects.
- ▶ Grab the glass top (2) by its edges.
- ▶ Place the glass top (2) on the table top (1) so that the four pins (3) on the underside of the glass top (2) line up with and are inserted into the four holes (4) of the table top (1).
- ▶ Slowly lower the glass top (2) until all four pins (3) have been inserted snugly into the four holes (4).





If you have a table with the optional glass top, you have to remove the glass top before you fold the table for storage.

- ▶ Grab the glass top (2) by its edges.
- ▶ Gently lift the glass top (2) until the four pins (3) on the underside of the glass top (2) are out of the four holes (4) of the table top (1).
- ▶ Place the glass top (2) somewhere where it cannot be damaged while stored.

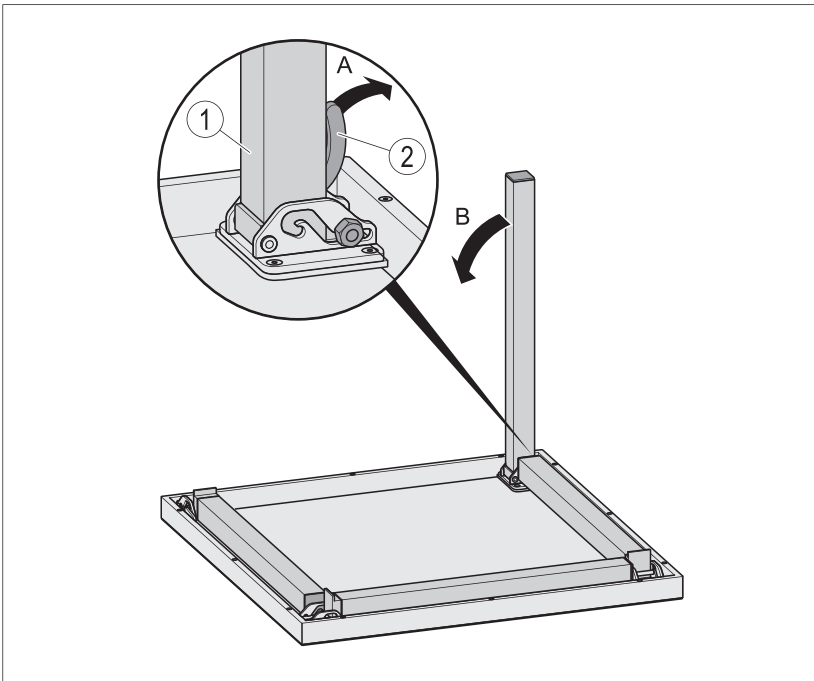
**⚠ CAUTION**

**Avoid pinch hazards when folding and unfolding the table legs.**

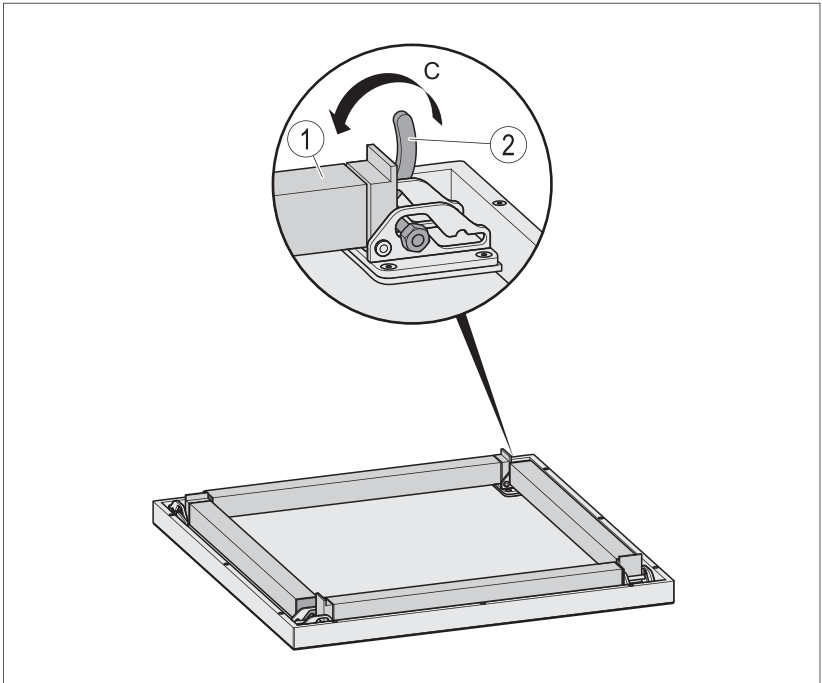
Make sure that no body parts are between the moving and stationary parts of the table.

**To fold the legs to store the table, proceed as follows:**

- ▶ Place the table top on a soft, clean surface with the table top down and the legs pointing up.
- ▶ Pull the lever (2) on a table leg in direction A.
- ▶ Fold the corresponding table leg (1) in downward direction (B) to the stop.



- ▶ Push the lever (2) in direction C all the way down to the stop.



The table leg (1) is now locked in place.

- ▶ Repeat these steps for each of the other three legs.
- ▶ Make sure that all four legs are folded in and locked securely.

Now the table can be stored in a space saving manner.

## **XTREME<sup>®</sup> Ocean Breeze Chair**

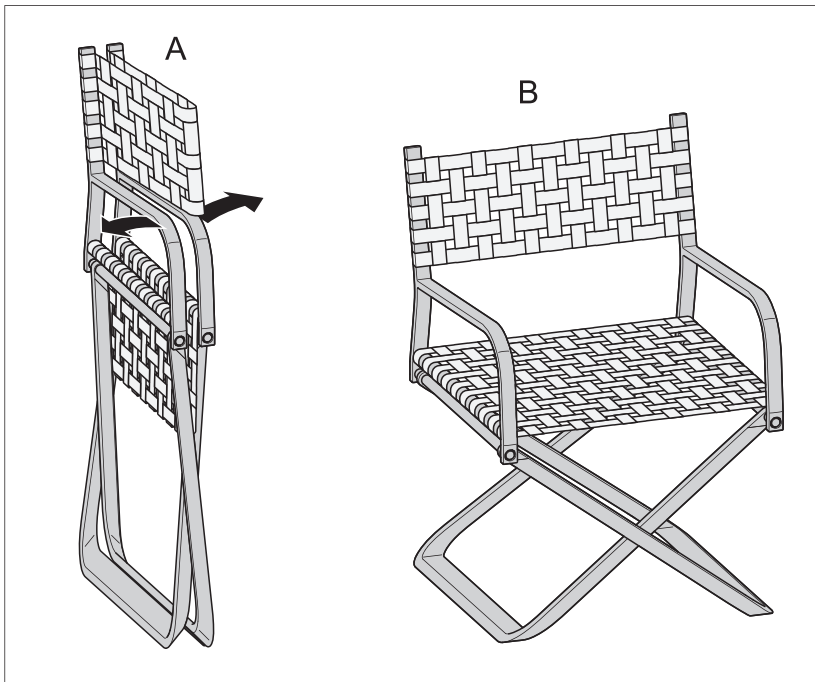
### **⚠ CAUTION**

**Avoid pinch hazards when folding and unfolding the chair.**

Be careful so no fingers or other body parts get pinched when unfolding or folding the chair.

**To set up the folded chair (A), proceed as follows:**

- ▶ Grasp the chair with one hand on each of the two armrests.
- ▶ Pull the armrests apart to the stop.



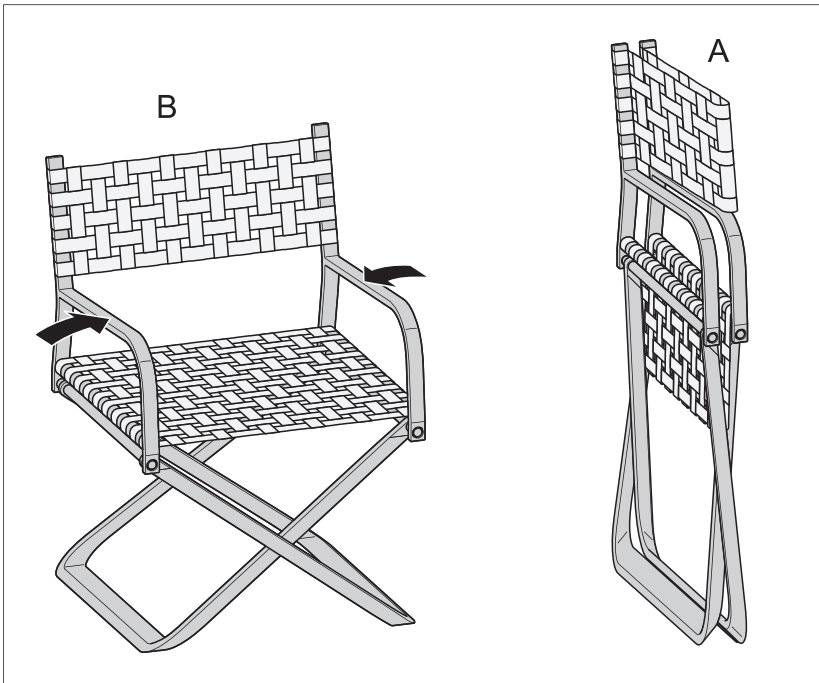
The chair is now unfolded (B).

- ▶ Place the unfolded chair (B) on a flat surface.

**To fold up the unfolded chair (B), proceed as follows:**

- ▶ Grasp the unfolded chair (B) with one hand on each of the two armrests.
- ▶ Fold the chair by pulling the armrests together.

The chair is now folded (A) and can be stored.



## **XTREME<sup>®</sup> Ocean Breeze Sunlounger**

### **⚠ WARNING**

**Avoid serious injury hazards when setting up, using or adjusting the sunlounger.**

Never sit on the head rest, the footrest or on the frame. The sunlounger can tip over and cause serious injuries and get damaged. Never move the sunlounger with a person or load on it. The sunlounger may tip over and any person on it may suffer serious injuries.

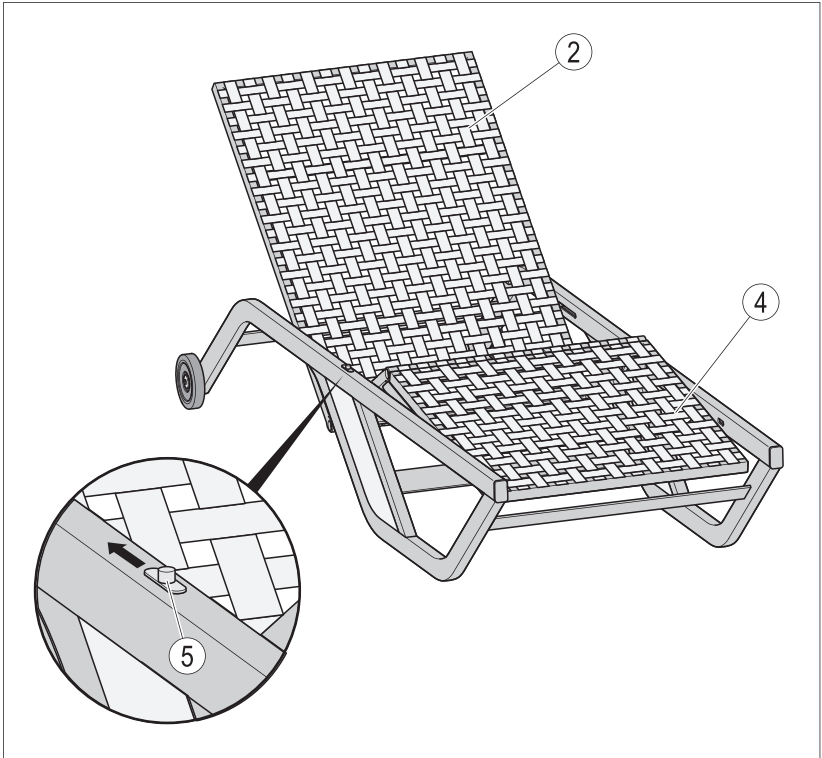
Be careful so no fingers or other body parts get pinched when you unfold or fold, set up, adjust or move the sunlounger.

**To set up the sunlounger, proceed as follows:**

- ▶ Lift the sunlounger by the foot rest (4) and slide it on a flat surface to the desired location.

**To adjust the lounging surface, proceed as follows:**

- ▶ Lie down on the lounging surface.
- ▶ Pull the adjustment button (5) to the stop in the direction of the back rest (2) and hold it in this position.



By moving your body, you can bring the lounging surface into the desired position.

- Once you have reached the desired position, release the adjustment button (5).

The lounging surface is now locked in the desired position.

## Cleaning and care

Below you can find a brief overview of cleaning and care directions. For detailed information please see the „**Cleaning & Care Instructions**“ which you received when purchased that product (can also be downloaded from our website **www.xtreme-collection.com**).

### Aluminum

- ▶ Clean the aluminum parts with lukewarm water and a microfiber cloth.
- ▶ For heavy soiling, we recommend cleaning with the detergent Super 10 GNLD. This product is available worldwide exclusively from GNLD distributors.  
(<https://us.gnld.com/en-us/product/HomeCare/Products/Super10>)
- ▶ Care for your aluminum parts every three months by using a commercial aluminum cleaner.

### Leather of the XTREME<sup>®</sup> collection

#### **NOTICE**

**Avoid damage caused by unsuitable cleaning agents.**

Do not use solvents, bleaches, abrasive substances, chemical cleaning agents or wax polishes.

- ▶ Clean the leather only with lukewarm water and a clean and soft cotton cloth.
- ▶ In case of heavy soiling please ask specialist retailers.

### Glass

- ▶ Clean the glass top with household glass cleaner and a soft lint free cloth.



## Dimensions and weights

### XTREME® Ocean Breeze Table

	unfolded	folded
<b>Width:</b>	approx. 905mm (35 ¾")	approx. 905mm (35 ¾")
<b>Height:</b>	approx. 725mm (28 ½")	approx. 100mm (4")
<b>Depth:</b>	approx. 905mm (35 ¾")	approx. 905mm (35 ¾")
<b>Weight:</b>	approx. 14kg (31 lbs.)	

### XTREME® Ocean Breeze Table with glass top

	unfolded with glass top	folded	glass top
<b>Width:</b>	approx. 905mm (35 ¾")	approx. 905mm (35 ¾")	approx. 905mm (35 ¾")
<b>Height:</b>	approx. 730mm (28 ¾")	approx. 105mm (4")	approx. 905mm (35 ¾")
<b>Depth:</b>	approx. 905mm (35 ¾")	approx. 905mm (35 ¾")	approx. 6mm (¼")
<b>Weight:</b>	approx. 25.8kg (57 lbs.)	approx. 14kg (31 lbs.)	approx. 11.8kg (26 lbs.)

## XTREME<sup>®</sup> Ocean Breeze Chair

	unfolded	folded
<b>Width:</b>	approx. 660mm (26")	approx. 130mm (5 ¼")
<b>Height:</b>	approx. 870mm (34 ¼")	approx. 1,210mm (47 ¾")
<b>Depth:</b>	approx. 570mm (22 ½")	approx. 570mm (22 ½")
<b>Depth of seating surface:</b>	approx. 460mm (18 ¼")	–
<b>Height of seating surface:</b>	approx. 450mm (17 ¾") (above set-up surface)	–
<b>Height of arm rest:</b>	approx. 620 – 650mm (25 ½") (above set-up surface)	–
<b>Weight:</b>	approx. 8kg (18 lbs.)	

## XTREME<sup>®</sup> Ocean Breeze Sunlounger

	Lounging position	Seating position
<b>Width:</b>	approx. 751mm (29 ½")	approx. 751mm (29 ½")
<b>Height:</b>	approx. 340mm (13 ½")	approx. 770mm (30 ½")
<b>Length:</b>	approx. 2,085mm (6'10")	
<b>Weight:</b>	approx. 31kg (68 lbs.)	

## **Disposal**

Aluminum is a recyclable material. Discard the furniture after its end of life in compliance with all national, state and local laws, regulations and guidelines. If in doubt, please consult your state, municipal or local authority.



**Xtreme**<sup>®</sup>  
COLLECTION

**BOXMARK Leather d.o.o**

Industrijsko naselje 10, SI-2325 Kidricevo

Phone No.: +386 2 7991 600, Fax No.: +386 2 7991 641

si.office@boxmark.com

[www.xtreme-collection.com](http://www.xtreme-collection.com)